

PHILCO MODEL TP-11

MODEL TP-11 is a 5 tube superheterodyne receiver having 2 tuning ranges covering from 640 to 1720 kilocycles (K.C.) on the broadcast band and from 2.3 to 2.5 megacycles (M.C.) on the police band. This model is assembled in a 2 toned, streamlined plastic cabinet.

This model is equipped with 6 electric push-buttons for automatically selecting stations in addition to dial tuning. Five push-buttons are used for the stations and one push-button for selecting dial tuning. The push-buttons cover a frequency range as follows:

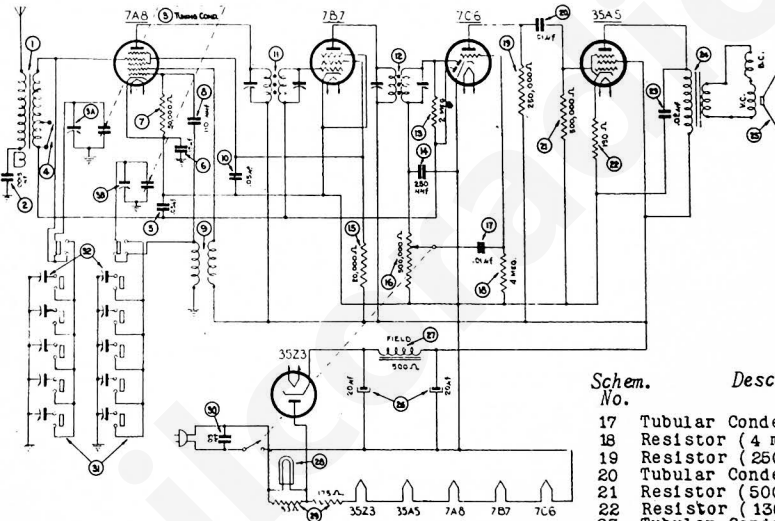
Padders (right to left from rear)		Buttons (left to right from front)		Frequency Range	Padders (right to left from rear)		Buttons (left to right from front)		Frequency Range
1	Ant.	1	1	540 to 1030 kilocycles	7	Ant.	4	4	900 to 1470 kilocycles
2	Osc.				8	Osc.			
3	Ant.	2	2	650 to 1100 kilocycles	9	Ant.	5	5	1160 to 1600 kilocycles
4	Osc.				10	Osc.			
5	Ant.	3	3	740 to 1240 kilocycles	6	Manul			
6	Osc.								

The procedure for adjusting and operating the electric push-button tuning will be found on page 1.

An indoor aerial 20 feet in length is attached to the receiver for average receiving conditions; however in apartment houses, hotels or steel re-inforced buildings, the Philco Utility Aerial Part No. 40-6384 is recommended.

The procedure for aligning the compensating condensers of this model will be found on page 3 under General Aligning Instructions.

NOTE: If no sound is heard after connecting the receiver to the power supply and sufficient time has been allowed for the tubes to heat, reverse the electric plug in the outlet. The same procedure should be observed on A.C. power supplies when a slight hum is heard with the volume turned low.



Schem. No.	Description	Philco Part No.
17	Tubular Condenser (.01 mf., 200V) ..	30-44798
18	Resistor (4 meg., 1/3 watt).....	33-540244
19	Resistor (250,000 ohms, 1/3 watt) ..	33-425244
20	Tubular Condenser (.01 mf., 400V) ..	30-45728
21	Resistor (500,000 ohms, 1/3 watt) ..	33-450244
22	Resistor (130 ohms, 1/2 watt).....	33-113336
23	Tubular Condenser (.02 mf., 400V) ..	30-45168
24	Output Transformer	
	For Speaker 38-1469-1.....	32-8047
	For Speaker 38-1469-9.....	32-8044
25	Cone Assembly	
	For Speaker 38-1469-1.....	38-4115
	For Speaker 38-1469-9.....	38-4113
26	Electrolytic Condenser	
	(20-20 mf., 150 V.).....	30-2382
27	Field Coil.....Part of Speaker No.	38-1469
28	Pilot Lamp.....	34-2088
29	Line Resistor.....	33-3367
30	Tubular Condenser (.03 mf., 400 V.)	30-44498
31	Push-Button Switch.....	42-1485
32	Padding Condenser Strip.....	31-6293

REPLACEMENT PARTS

Schem. No.	Description	Philco Part No.
1	Antenna Transformer.....	32-3168
2	Tubular Condenser (.0015 mf., 200V)	30-45558
3	Tuning Condenser.....	31-2365
4	Switch.....	42-1406
5	Tubular Condenser (.05 mf., 200V)	30-45198
6	Tubular Condenser (.15 mf., 400V)	30-45058
7	Resistor (50,000 ohms, 1/3 watt)...	33-350244
8	Mica Condenser (110 mmf.).....	30-1031
9	Oscillator Transformer.....	32-3167
10	Tubular Condenser (.05 mf., 200V)	30-45198
11	1st I.F. Transformer.....	32-3149
12	2nd I.F. Transformer.....	32-3150
13	Resistor (2 meg., 1/3 watt).....	33-520244
14	Mica Condenser (250 mmf.).....	30-1032
15	Resistor (20,000 ohms, 1/3 watt)	33-320244
16	Volume Control (500,000 ohms)...	33-5306

MISCELLANEOUS PARTS	
Cabinet.....	SAME AS TP-10 WITH EXCEPTION
Disc Feet.....	10368-A
Knob Assembly (Pushbutton).....	27-937
Knob Assembly (Tuning).....	27-4824
Knob Assembly (Tuning).....	27-4815
Padding Strip.....	31-6293
Push Button Switch.....	42-1485
Wave Switch.....	42-1408